

MULLERUP • HYDROFLEX

Simple, reliable and strong hydraulic manure removal systems - the way to a better cow house environment

In a HYDROFLEX manure removal system the scrapers are slowly pulled forwards by a pull rail to be placed either directly on the floor or lowered into the floor. The pull rail is driven forwards and backwards by a hydraulic cylinder positioned at channel end. The pump station and magnet valves can be fitted inside or outside the cow house away from manure. The hoses are a special fibrous construction without steel armouring.

Flexible solutions

- Optional manual and automatic operation
- Individual programming of each channel - max. 6 channels
- Channel lengths may vary, max. 100 m
- Installation in most cow housing systems

Animal-friendly design

- Rail and scraper design is very gentle on the cows' hooves
- Knotless pull rail and scrapers without sharp edges
- Minimum disturbance of cow traffic due to low construction
- Optional SILENT pump station as extra equipment

Quality

- Pull rail in strong material with a specially rolled C-profile
- Hydraulic station with automatic oil and temperature control

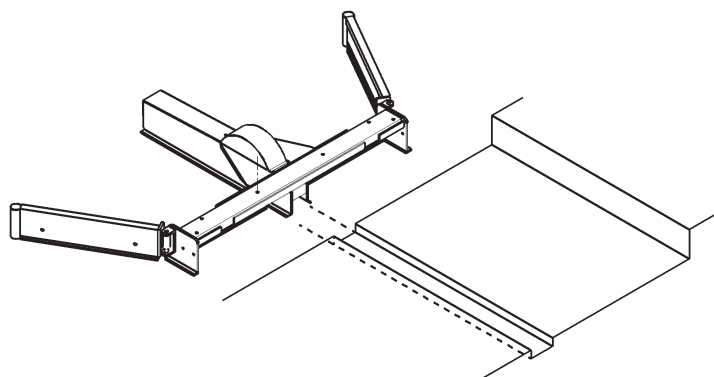
Ammonia evaporation reduction

- MULLERUP special scraper for the profiled floor element from PERSTRUP

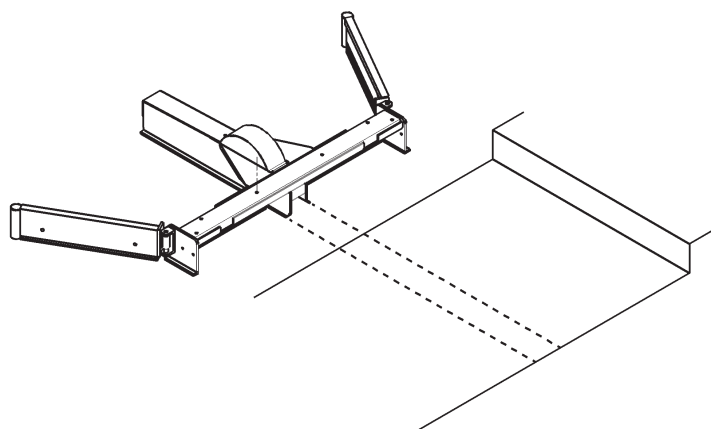


THE OBVIOUS CHOICE FOR THE FUTURE

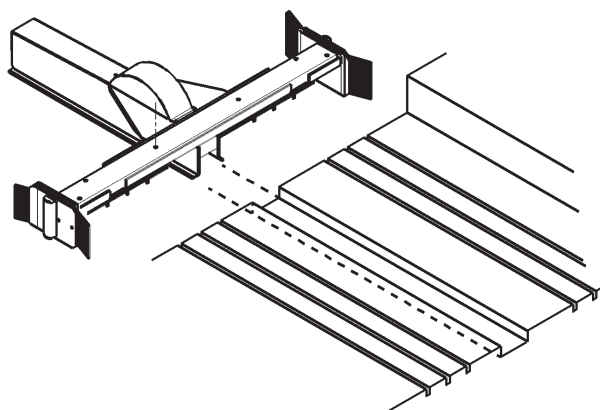
Flap scraper for lowered pull rail



Flap scraper for pull rail on floor



Flap scraper for profiled flooring - Perstrup



Technical data

HYDROFLEX

No. of channels.....	Max. 6 channels
Channel length.....	Max. 100 m with pull and 80 m with push
Scraper types.....	Flap scraper with pull rail lowered or on floor Scraper adjusted to profiled floor Slat scraper
Floor types.....	Rubber, slats, solid, profiled
Scraper width.....	1,6 - 4,3 meter
Scraper height.....	150 mm
Scraper step length.....	850 mm
Scraper speed.....	3,4 meter per minute